

**LED TECHNOLOGY**  
Visual Information  
Display

**HÅSENEGGER**

KERESKEDELMI ÉS BERUHÁZÓ KFT.

# LED TECHNOLOGY VISUAL INFORMATION DISPLAYS

## GENERAL DESCRIPTION

The visual passenger information equipment is the information related to train traffic on the display equipment or at the stations, stations, stops in places frequented for passenger traffic. are displayed on devices to the traveling public.

The displays are available in single and double-sided versions, depending on the purpose and place of installation. They are placed on a wall plane, on their own stand or suspended.

From the data displayed on the visual displays, passengers get direct information about the departure and arrival times of the trains, the type of train, the traffic route, the number of the track involved, the exact time and delay, the need for space, etc.

It allows the passenger to identify the last departing or arriving train in the station system: the platform display provides basic information about the train with a summary display and any intermediate displays on the route (*eg additional summary displays, underpass display, track end*). display information and closes it at the same time.

For a given train, the information on the platform display must match the information on the summary display, but may include additional information depending on the installation ordered, e.g. train composition, landing and take-off restrictions.

### **Hasenegger Kft. - Mészáros Imre**

Telefonszámunk: +36 (30) 951 1094 · Iroda: 1173 Budapest, Vanília utca 28.

E-mail címünk: meszaros@hasenegger.hu

Web: [www.hasenegger.hu](http://www.hasenegger.hu) · [www.passengerinformationdisplay.com](http://www.passengerinformationdisplay.com)

## MAIN TECHNICAL, TECHNICAL PARAMETERS, COMPONENTS

### DISPLAY PARAMETERS:

- One or two active side versions
- RGB SMD LED technology, modular design
- Brightness: 5500 cd / m<sup>2</sup>
- Raster size max .: 4mm x 4mm
- Display active surface dimensions (*W x H*): 250mm x 1250mm
- Static track number display LED backlight
- Viewing angle: minimum 150/150 degrees
- Automatic brightness control

### SOFTWARE, COMPATIBILITY:

- Linux OS
- Compatible with control and monitoring systems systematized in MÁV's telecommunications department, so the device can be accessed and controlled remotely, internal information can be queried (*eg alarm information: Current consumption, internal temperature, opening, brightness detection, etc.*)
- SNMP Messages
- Screenshot query possible (*optional*)
- Visibility distance 1-40 meters
- Scroll speed: 1-20 characters / second
- Static platform number display with LED backlight (Platform number color code: 9010, Platform number background color code: 5002)

### BUILT-IN INDUSTRIAL COMPUTER PARAMETERS:

- Design: Industrial design - no moving parts
- Processor: 1.5GHz ARM Cortex-A72 4 core
- Memory: 4GB
- Ethernet port: Gigabit Ethernet
- USB Ports: 2 x USB 3.0 and 2 x USB 2.0



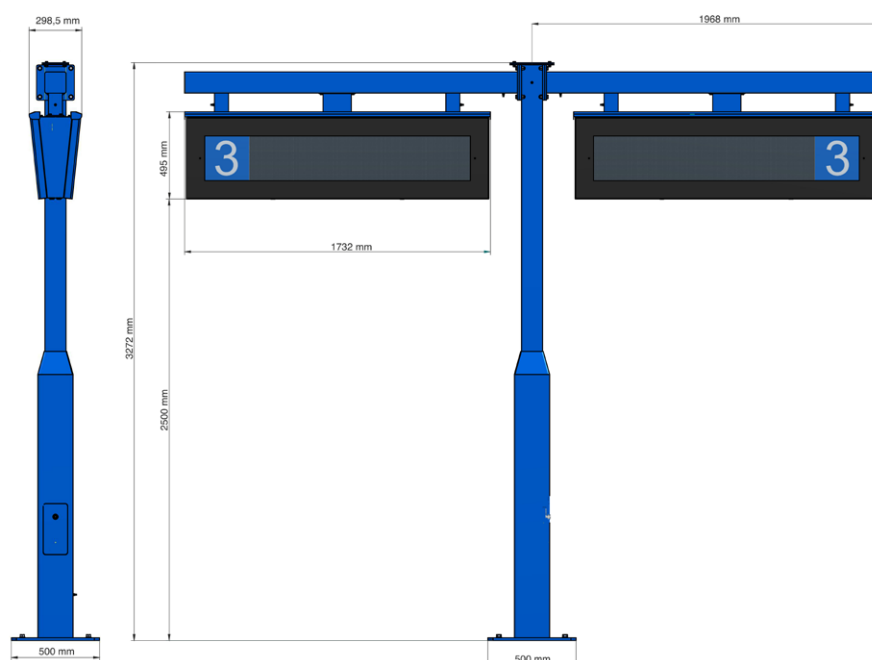
## MAIN FEATURES OF THE DISPLAY HOUSE:

- IP54 protection
- Thermoregulated
- Its material is resistant to corrosion and oxidation
- Color can be changed according to RAL code as required
- Anti-reflection vandal-proof glass
- Basic dimensions ( $L \times W \times H$ ): 1800mm x 380mm x 360mm
- Hanging mounting (*optional with bottom mounting*)
- Galvanically isolated motherboard unit
- Operator friendly design

## GENERAL FEATURES:

- Connection to Ethernet and SFP Optical ports is possible
- Protects against overheating, overvoltage, overcurrent and burns
- Complies with current CE and IP and EMC directives
- Typical power consumption: ~ 400W  
(For single-sided design: ~ 380W)
- Weight: 112 kg
- Design, component diagram:

## DIMENSIONS, EXTERIOR FIGURES (1)



## DIMENSIONS, EXTERIOR FIGURES (2)

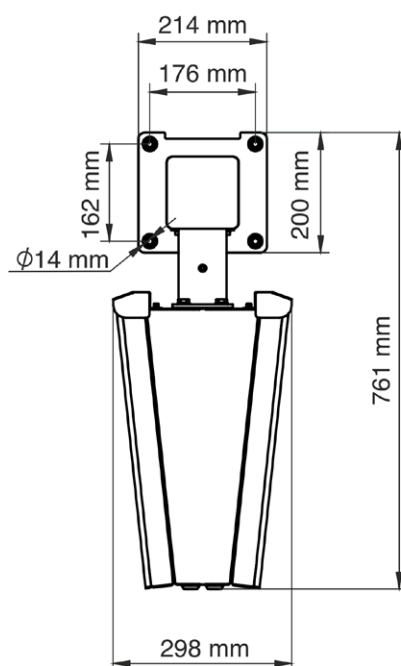
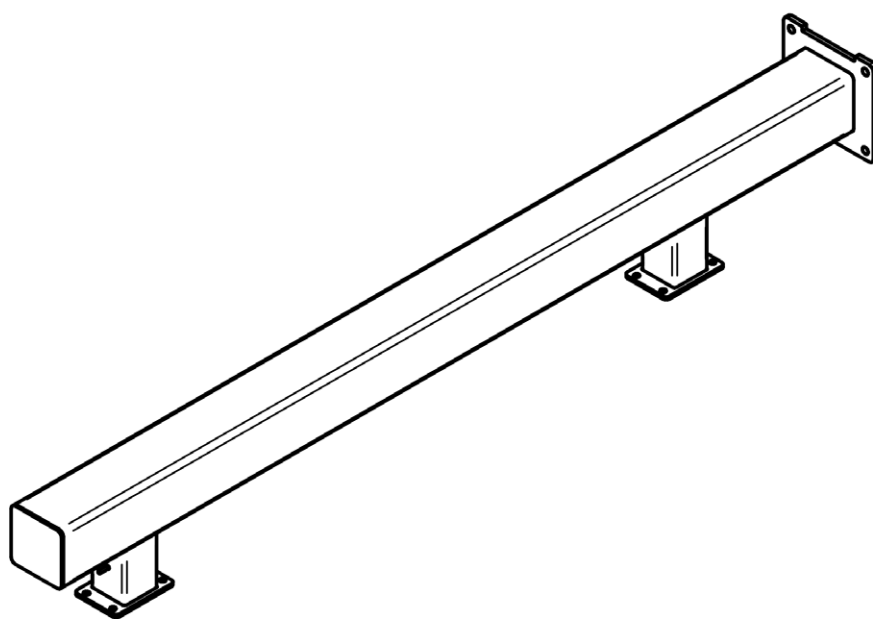
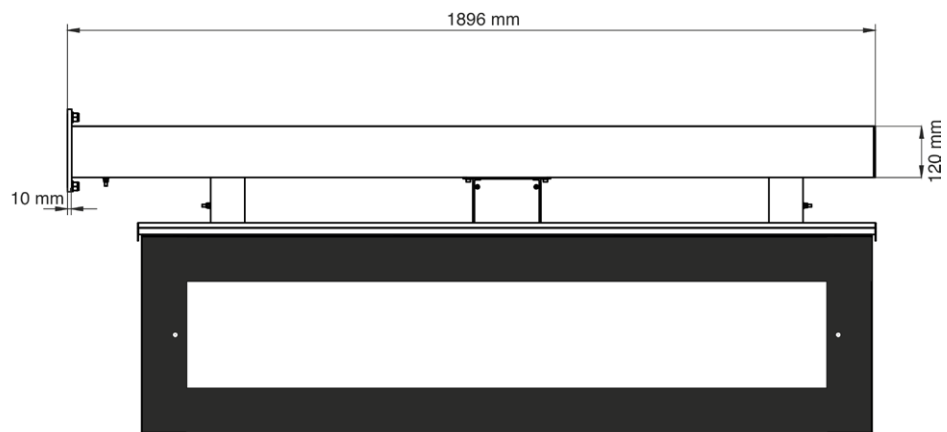


### DIMENSIONS, EXTERIOR FIGURES (3)





## DIMENSIONS, EXTERIOR FIGURES (4)



### Hasenegger Kft. - Mészáros Imre

Telefonszámunk: +36 (30) 951 1094 · Iroda: 1173 Budapest, Vanília utca 28.

E-mail címünk: meszaros@hasenegger.hu

Web: www.hasenegger.hu · www.passengerinformationdisplay.com



Százhalombatta



6

[Blurred white text on a blue background]

4  
5 ↑

# HÁSENEGGER

KERESKEDELMI ÉS BERUHÁZÓ KFT.

**Hasenegger Kft. - Mészáros Imre**

Telefonszámunk: +36 (30) 951 1094 · Iroda: 1173 Budapest, Vanília utca 28.

E-mail címünk: meszaros@hasenegger.hu

Web: www.hasenegger.hu · www.passengerinformationdisplay.com

